

ADDENDUM No. 5 – April 3, 2026

PART 1 - GENERAL

Note: All Addenda must be acknowledged on the bid form.

This addendum modifies, amends, and supplements designated parts of the Contract Documents for the above project and is hereby made part thereof by reference and shall be as binding as though inserted in locations designated hereunder.

It shall be the responsibility of the bidders to notify all subcontractors and suppliers he proposes to use for the various parts of the work for any changes or modifications contained in this addendum. No claim for additional compensation because of lack of knowledge of the contents of this addendum will be considered.

PART 2 – SPECIFICATIONS

1. SECTION 08 87 00 – ARCHITECTURAL WINDOW FILMS

Page 4, Paragraph 2.1.B:

Insert: “3. SOLYXiQ, www.solyxiq.com, 888.657.5224”

Page 6, Paragraph 3.4.A:

Insert: “7. Seams in the film, where required, shall be butted tightly together in an undetectable fashion.”

2. SECTION 32 31 13 – CHAIN LINK FENCES AND GATES

Page 1, Paragraph 1.4.A:

Insert: “3. City of Worcester Department of Public Works and Parks, Engineering Division, Section 644 Chain Link Fence and Gates” (attached)

Page 2, Paragraph 2.2.A:

Insert: “2. Fence framework shall be polymer coated. The color shall be black and in accordance with ASTM F934.”

Page 3, Paragraph 2.5:

Delete: “A.” In its entirety.

Insert: “A. Galvanized steel, double gate widths, physical pipe dimension and weights as follows:

1. Over 6-feet to 13 feet: 2.875-inch O.D. steel pipe, 3.12/lin. Ft.”

Page 4, Paragraph 2.6.2:

Delete: Item 2. in its entirety.

Page 6, Paragraph 2.17.B:

Insert: “3. Pipe socket for latch rod shall be 1.66-inches nominal O.D., minimum 6-inches long, set in 6-inch diameter x 18 long concrete base.”

PART 3 – DRAWINGS

1. DRAWING AD3.1 – PARTIAL THIRD FLOOR DEMOLITION PLAN, DEMOLITION LEGEND & PLAN NOTES

Delete: W3 in its entirety

Insert: “W3 – Remove 20-square feet of GWB to expose stud cavity to suit new wood blocking and plumbing and electrical work.”

2. DRAWING AD3.1 – PARTIAL THIRD FLOOR DEMOLITION PLAN, CLASSROOM D318

Delete: “D4 note at door opening D318 on east wall.”

Insert: “D3 note at door opening D318 on east wall.”

3. DRAWING A6.11 – CURTAIN WALL TYPES & DETAILS, TYPICAL CURTAIN WALL MULLION DETAILS, EXTERIOR

Delete: “Typical at C4” at Perimeter Frame Heads and Jambs detail.”

Delete: “Typical at C4” at Sills detail.”

4. DRAWING A8.8 – TYPICAL TOILET PLANS & EXTERIOR GAS STORAGE AREAS, DETAIL 14/A8.8

Delete: “Aluminum sleeve embedded in concrete”

Insert: “Place concrete around post in a continuous pour and tamp for consolidation.”

5. DRAWING S1.1 – TYPICAL DETAILS AND GENERAL NOTES

Insert: “Miscellaneous Note (M9): Details are diagrammatic and are not to scale. Work shall be as noted and dimensioned.”

6. DRAWING S1.2 – TYPICAL DETAILS AND GENERAL NOTES

Insert: “General Note: Details are diagrammatic and not to scale. Work shall be as noted and dimensioned.”

7. DRAWING S3.1 – FLOOR & FOUNDATION PLAN

Insert: “Floor and Foundation Plan scale: 1/8” = 1’-0”.”

8. DRAWING S3.2 – ROOF FRAMING PLAN

Insert: “Roof Framing Plan scale: 1/8” = 1’-0”.”

PART 4 – ATTACHMENTS

Documents

1. City of Worcester Department of Public Works and Parks, Engineering Division, Standard Fencing Details

PART 5 – RFI'S AND RESPONSES

QUESTION	RESPONSE
<p>Section 32 31 13 - Chain Link Fence and Gates and Plan page A8.8</p> <p>Please clarify the post sleeves that are requested for the chain link fence assembly at the gas storage area: Detail 14 on plan page A8.8, differs from the post sleeves described in spec section 32 31 13 Item 2.15 SLEEVES.</p> <p>Please confirm the gate posts are 4" OD pipe as the end, corner, and pull posts are 2.875 inch OD pipe</p> <p>Please provide size of gate post ground receiver</p>	<p>See Part 2, note 2 and Part 3, note 4 of this addendum.</p>
<p>Please clarify the extent of 'W3' GWB removal.</p>	<p>See Part 3, note 1 of this addendum.</p>
<p>The door in classroom D318 has note D4 calling for the removal of OHD it shows a man door. Can you clarify which is correct?</p>	<p>See Part 3, note 2 of this addendum.</p>
<p>Please provide the scale for the structural drawings.</p>	<p>See Part 3, notes 5 through 8 of this addendum.</p>
<p>Our question is regarding the Curtain Wall details for Worcester Vet Tech. on Page A6.11 the typical curtain wall mullion details which state "typical for C4"(which is interior) contradict the details for the interior curtain wall. Is this a typo? Our guess is that the interior details are the correct ones as they show the proper glass for the interior but we just want to make sure those two marked "typical at C4" are not being used.</p>	<p>See Part 3, note 3 of this addendum.</p>
<p>The plans are calling for a gradient film however 3M does not make a gradient this large. Further, they do not allow for custom film either.</p> <p>We could produce a custom film at this height through Solyx but the color may be slightly off from what they are looking for.</p> <p>Additionally, due to the pane width seams may still be required as the panes are larger than film allows.</p> <p>How should we proceed?</p>	<p>See Part 2, note 1 of this addendum.</p>

END OF ADDENDUM NO. 5

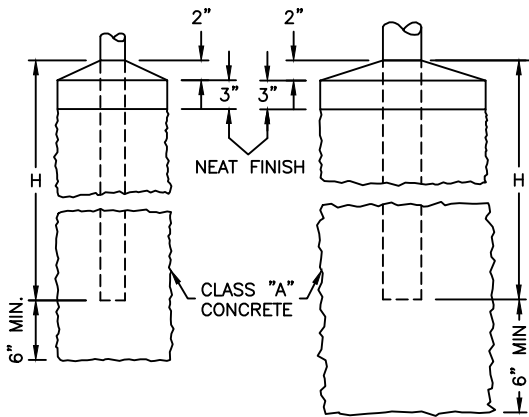
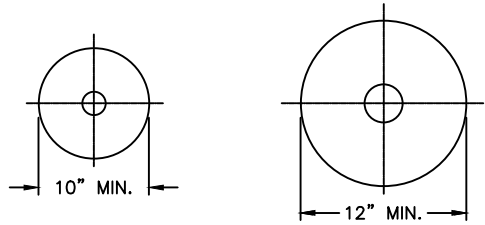
MARCH 10, 2025
474,475,476 - ITEM DESCRIPTION
NOT TO SCALE
SHEET 1 OF 1



DEPARTMENT OF
PUBLIC WORKS AND PARKS
Engineering Division
20 East Worcester St., Worcester MA 01604

NO.	1	DATE	3/10/25	DESCRIPTION	CHAIN LINK FENCE	BY	TK

POST BASES

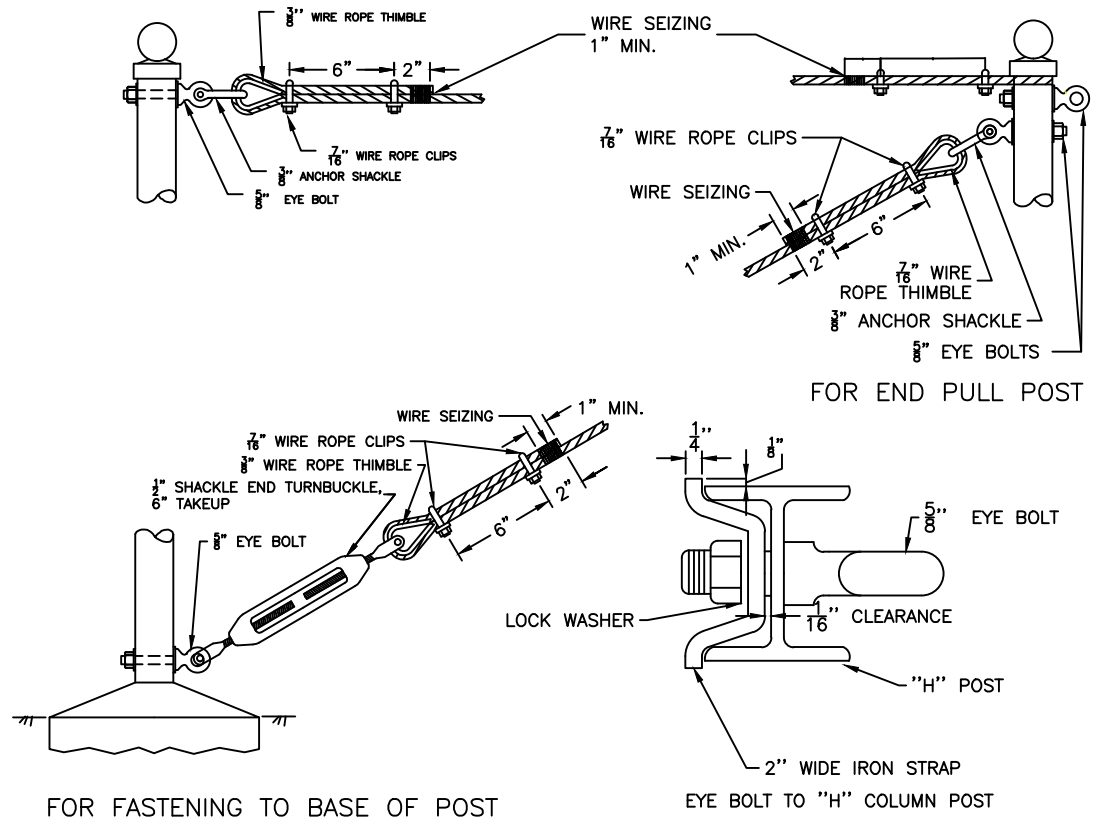


FOR CORNER, END, LINE, AND PULL POSTS

FOR GATE POSTS

FENCE HIEGHT	MIN. H
5' OR LESS	2'-6"
OVER 5'	3'-0"

DETAILS OF CABLE ATTACHMENTS



FOR FASTENING TO BASE OF POST

NOTE:
FOR EYE BOLT INSTALLATION THROUGH PIPE SECTIONS, USE 2 WASHERS ON " SHOULDER SIDE" AND 1 WASHER WITH LOCK WASHERS ON "NUT SIDE" OF POSTS.

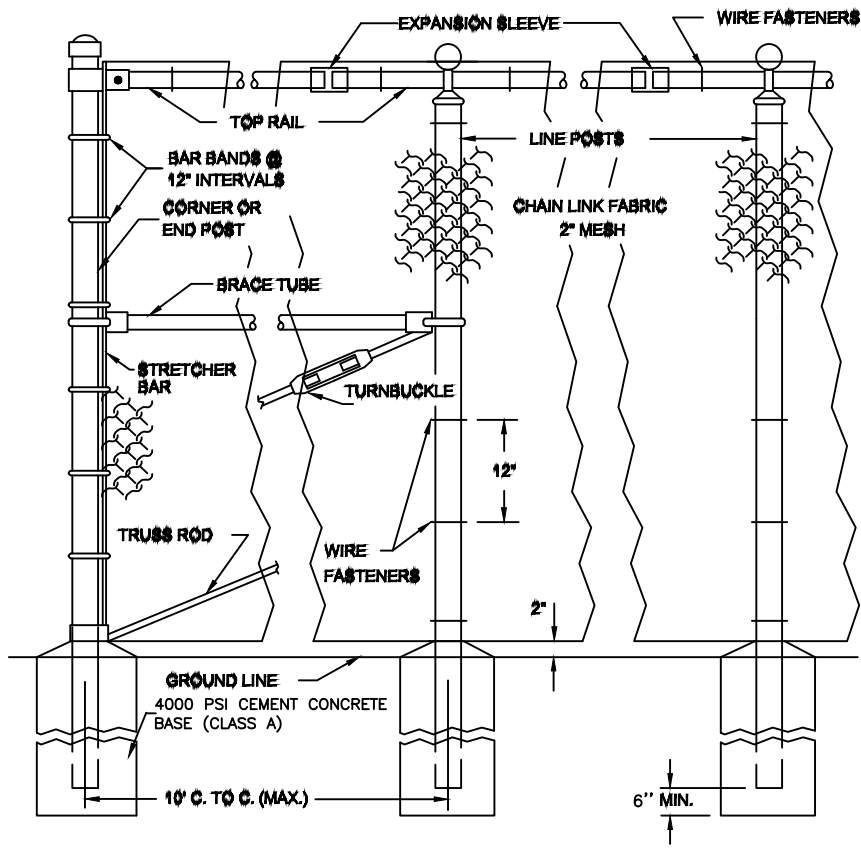
MARCH 7, 2025
 475.476 - ITEM DESCRIPTION
 NOT TO SCALE
 SHEET 1 OF 1



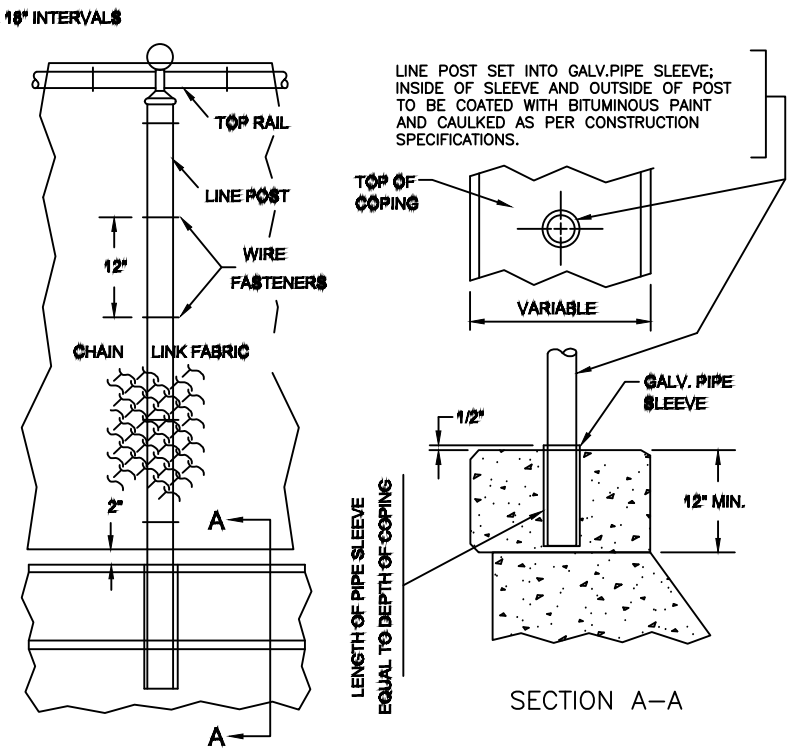
DEPARTMENT OF
PUBLIC WORKS AND PARKS
 Engineering Division
 20 East Worcester St., Worcester, MA 01604

NO.	DATE	DESCRIPTION	BY
01	03/07/2025	CHAIN LINK FENCE WITH TOP RAIL	TK

FENCE ON GROUND



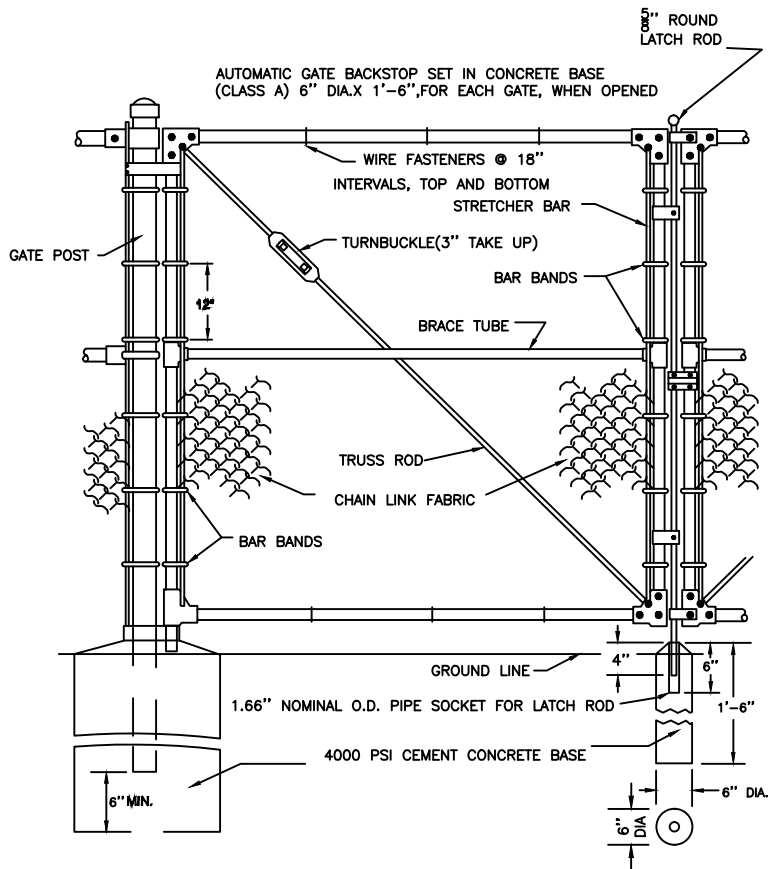
FENCE ON CONCRETE WALL



NOTES:

- FABRIC FOR FENCES 4' OR LESS IN HEIGHT. TOP SELVAGE TO HAVE KNUCKLED FINISH .BOTTOM SELVAGE TO HAVE TWISTED AND BARBED FINISH UNLESS OTHERWISE NOTED. FABRIC FOR FENCES 5' OR OVER IN HEIGHT. BOTH TOP AND BOTTOM SELVAGE TO HAVE TWISTED AND BARBED FINISH UNLESS OTHERWISE NOTED.
- THE HEIGHT OF FENCE TO BE AS SPECIFIED.
- GRADE OF FENCE TO BE PARALLEL WITH THE GRADE OF SIDEWALKS, CURBING, GROUND OR TOP OF WALL.
- LINE POSTS TO BE SPACED 10'-0" C.TO C. MAXIMUM EXCEPT ON CURVES WHERE THEY SHALL BE SPACED AS FOLLOWS:
 CURVES 200' TO 500' RADIUS 8'-0" C. TO C. MAXIMUM
 CURVES 100' TO 200' RADIUS 6'-0" C. TO C. MAXIMUM
 CURVES LESS THAN 100' RADIUS 5'-0" C. TO C. MAXIMUM
- FOR POST BASES AND CBL E ATTACHMENTS , SEE DRAWING MASS DOT E404.5.0
- FOR DESCRIPTION, MATERIALS AND CONSTRUCTION METHODS, SEE STANDARD SPECIFICATION.

DOUBLE GATES



NOTE:

1. TUBULAR GATE POSTS – STEEL ALUMINUM
 SINGLE GATE OPENING UP TO 6'. 4" NOM O.D. 2 7/8" NOM O.D.
 DOUBLE " " " " 12'. " " "
 SINGLE " " 7'-13'. 4" NOM O.D. 4" NOM O.D.
 DOUBLE " " 13'-25'. " " "
 SINGLE " " 14'-18'. 4" NOM O.D. 6 5/8" NOM O.D.
 DOUBLE " " 27'-38'. " " "
 THE ABOVE LIMITS OF OPERATIONS ARE INCLUSIVE
 2. GATE FRAMES & BRACES STEEL ALUMINUM
 SINGLE GATE FRAME UP TO 6' W. L66 NOD L90 NOM O.D.
 SINGLE GATE FRAME OVER 6' W. L90 NOD L90 NOM O.D.
 3. TRUSS RODS STEEL ALUMINUM
 DIAMETER 3/8" 3/8"
 4. CHAIN LINK FABRIC FOR GATES TO BE THE SAME AS AS REQUIRED FOR FENCE.
 5. FOR GATE POST BASE, SEE 404.5.0
 6. FOR DESCRIPTION, MATERIALS, AND CONSTRUCTION METHODS, SEE SPECIFICATIONS.
- END POSTS TO BE USED ON LATCH SIDE OF SINGLE GATE OPENINGS.

FEBRUARY 26, 2025
474-475-476 - ITEM DESCRIPTION
NOT TO SCALE
SHEET 1 OF 1



**DEPARTMENT OF
PUBLIC WORKS AND PARKS**
Engineering Division
 20 East Worcester St, Worcester MA 01604

01	02/26/2025	CHAIN LINK FENCE-GATE	TK
NO.	DATE	DESCRIPTION	BY