

March 27, 2026

To All Bidders:

Subject: **Bid No. 8648-J6 – Toilet Fixture Replacement – Institute Park / DPRC**

ADDENDUM NO. 3

To Whom It May Concern:

With reference to our bid request relative to the above subject, please refer to the changes/modifications/clarifications to the original proposal request.

Questions received by this office and responses from The City:

1. Q: Please confirm that the existing water piping is not to be insulated.

A: Existing piping is not to be insulated.
2. Q: The specified water closet and flushometer combination does not appear to be compatible...the specified water closet is configured for a top spud, whereas the specified flushometer is configured to be concealed and is typically paired with a back spud water closet. Please clarify.

A: Provide exposed, sensor operated flush valves equal to American Standard Selectronic 6065.161.002 for toilets. Provide exposed, sensor operated flush valves equal to American Standard Selectronic 6063101.002 for urinals.
3. Q: Can the new wall hung water closets be installed without a fixture carrier. Fixture specification states that a fixture carrier is required.

A: Provide floor mounted, rear outlet (wall waste) toilet equal to Whitehall WH2135-T. Remove existing bolts, and fill-in unused penetrations with Mortar Repair Sealant as required. Provide new hardware to suit installation equal to Oatey.
4. Q: How does the new water closet connected to the waste line without a closet nipple and still adhere to 248 CMR?



A: Provide new 3” piping from each new toilet to existing 4” sanitary main in bathroom chase. Provide new toilet flange equal to Oatey. Closet nipple is not required for this installation, but if one is provided it shall be equal to JR Smith. The floor mounted rear outlet toilet noted above is available with outlet heights ranging from 5½” up to 7½”, contractor shall perform detailed field measurements as required to ensure that they order the correct outlet height option for the application.

5. Q: We saw addenda 1 about date change and addenda 2 about using the existing carrier. Which is just bolts through the wall. How thick is the wall and what does it consist of, is it center block or poured concrete wall?

A: Per the documentation provided to NV5 by the owner, the existing partition is 4”, precast.

6. Q: New wall hung toilets do not come with caps and washers. What model number caps and washers do you want to spec?

A: Provide floor mounted, rear outlet (wall waste) toilet equal to Whitehall WH2135-T. Remove existing bolts, and fill-in unused penetrations with Mortar Repair Sealant as required. Provide new hardware to suit installation equal to Oatey. This toilet model includes a cover that will conceal the bolts.

7. Q: In our first RFI we stated that the toilet and urinal are top spud. What is the make and model number of the toilet you are looking for?

A: Please provide floor mounted, rear outlet (wall waste) toilet equal to Whitehall WH2135-T as noted above.

8. Q: There is no existing drains for a wall hung toilet. Please spec out how to come from 3” no hub drain in plumbing cavity to finish wall in bathroom to receive new wall hung toilet. The existing drains are higher than what needs to be for the finish height of the rim of the toilet for what you are specing.

A: Provide new 3” piping from each new toilet to existing 4” sanitary main in bathroom chase. Provide new toilet flange equal to Oatey. The floor mounted rear outlet toilet noted above is available with outlet heights ranging from 5½” up to 7½”, contractor shall perform detailed field measurements as required to ensure that they order the correct outlet height option for the application.



The City of
WORCESTER

Administration & Finance – Purchasing Division
Christopher J. Gagliastro, MCPPO – Purchasing Director
455 Main Street, Room 201, Worcester, MA 01608
P | 508-799-1220
purchasing@worcesterma.gov

Refer to the attached fixture cut for additional information.

Bidders are requested to acknowledge and/or include this addendum with submission. All other terms, conditions and specifications remain unchanged.


Very truly yours,

Jerry Kucera
Buyer



**Whitehall
 Ligature Resistant
 Solid Surface Toilet
 ADA Compliant
 Top Supply
 Model WH2135-T**

Features:

- Universal Design
- ADA Compliant 
- Normalized Look and Aesthetic
- Suitable for Traditional Restrooms
- Bariatric Toilet Applications
- Load Rating of 25,000 LBS
- Vandal Resistant
- Easy to Clean Contours



Whitehall BestCare® Solid Surface Toilet is designed to foster a peaceful, well-balanced environment, combining a stylish, sleek appearance with enhanced patient safety. Its Universal Design supports ligature resistance, ADA accessibility, accommodation for individuals of size, and traditional restroom applications. Unit is engineered to allow retrofit to existing Toilet Waste rough-ins, providing labor savings and ease of installation for renovation.

On-Floor Toilet is designed for installation against a finished Wall from the Fixture side, utilizing a concealed Wall Mounting Channel. The Bowl interior is rimless to allow easier, more sanitary cleaning while eliminating ligature points for wedging objects. Its unique Flushing Rim design delivers a full 360-degree rinse to wash down the Bowl interior. Vandal-Resistant exposed Fasteners are included to complete the Assembly. Wall Mounting Hardware is provided by the Installer to suit site conditions.

Toilet Housing, Bowl and Seat are constructed of Corterra® Solid Surface Polymer Resin, which is GREENGUARD® Gold listed, WaterSense® Certified and conforms with ANSI Z124.3, ANSI Z124.6, and ANSI/ICPA SS-1 standards. Toilet Bowl color furnished is Blanco OCC11 (Glossy White).

Integral Toilet Seat features contrasting color to enhance visibility and assist users with cognitive impairment. Seat color is -OCC21 Moonstone Metallic (Gray Gloss) and optionally available in -OCC11 Blanco (Glossy White) to match Toilet Bowl.

Static load rating for the On-Floor Bowl is IAPMO Certified to withstand 25,000 lbs. [11,340 kg] without permanent damage, providing exceptional vandal resistance and long-term durability for demanding environments.

Toilet P-trap and Blowout Jet Fittings are fabricated of type 304 stainless steel and allow for Customer specified Wall or Floor Waste Outlet dimensions.

Toilet is siphon jet type with an elongated Bowl conforms with ASME A112.19.3, CSA B45.4 and ADA Standards for Accessible Design. Toilet requires a minimum of 25 PSI flow pressure and will operate with a minimum water consumption of 1.28 GPF (4.8L). P-trap has a minimum 3-1/2" seal, and will pass a 2-1/8" ball.

Toilet Waste Outlet connection is offered for Wall or Floor Waste and includes a Recessed Gasket Flange to make up connection with Industry Standard Closet Flange.

Toilet Top Supply Inlet includes a 1-1/2" NPT male Flushing Inlet connection for Top (Exposed) Flush Valve supply.

Optional Flush Valve Covers are available in complementary finishes for Top Supply models and shall be specified separately to suit the application. Note: Concealed In-Wall Flush Valves are recommended for Ligature-Resistant ADA applications to ensure adequate spacing for Closure-Type Grab Bar designs.

Optional Hinged Toilet Seats are offered for traditional settings or the unit may be Factory drilled for a Hinged Seat to be provided by others.

Important: Hinged Toilet Seats present a ligature risk and should not be used in Behavioral Health settings.

Please visit www.whitehallmfg.com for most current specifications.



Recyclable Product



Water Conserving Product

Complies with the following standards:





-T Top Supply (Exposed F.V.) | Wall Waste Toilet

BASE MODEL NUMBER (Must Specify)

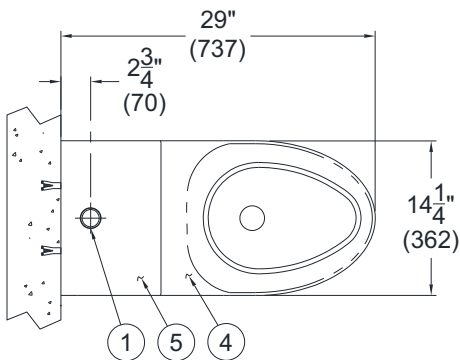
- WH2135-T-2 Wall Waste Outlet, Top Supply, Solid Surface Toilet, ADA Compliant (*Specify Rough-In*)
 - 5-1/2" Standard Specify (*Refer to Chart Below to Indicate Required Dimension*)

TOILET SEAT OPTIONS

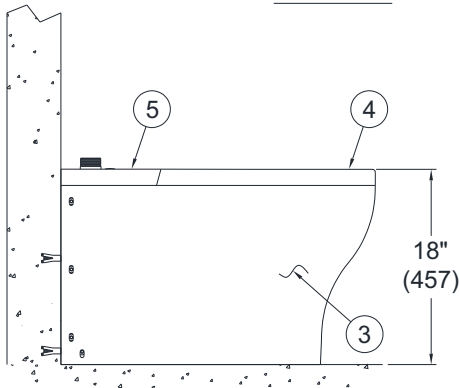
- HS-OFLC Hinged Seat, White, Open Front Less Cover, Self-Sustaining Check Hinge
- HS-OFWC Hinged Seat, White, Open Front With Cover, Self-Sustaining Check Hinge
- PFS Drilled for Seat Provided by Others (*Industry Standard 5-1/2" Bolt Centers*)

PRODUCT OPTIONS

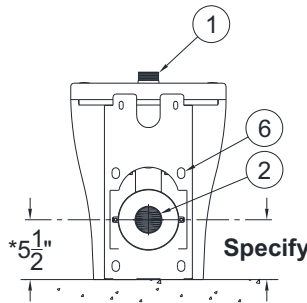
- OCC11 Integral Seat with Corterra® Color Blanco -OCC11 (Glossy White) Same as Toilet Bowl
 Standard Color is Moonstone Metallic OCC21 (Gray)



TOP VIEW



**WH2135-T-2
 SIDE VIEW**



**WH2135-T-2
 REAR VIEW**

NOTES:

1. 1-1/2" NPT, -T Top Supply Flushing Inlet
2. 5-1/2" Recessed Gasket Flange - Wall Waste (*Indicate Required Dimension*)
3. Solid Surface Floor Waste ADA Toilet
4. Integral Solid Surface Seat
5. Removable Top Access panel
6. Wall Mounting Points (Hardware By Others)

NOTE: Optional Flush Valve Cover is not shown and should be specified separately. For ADA applications, verify vertical dimensional details for Flush Valve Covers when used with Closure Style Grab Bars.



Shown with WH2802-SLPT-ADA Specified Separately

**-2 WALL WASTE DIMENSION
 * 5-1/2" STANDARD OR SPECIFY
 REFER TO CHART, 3-1/2" - 7-1/2"**

<input checked="" type="checkbox"/> Specify	Wall Waste Off Floor
	3-1/2"
	4"
	4-1/2"
	5"
Select Above	5-1/2" (STD)
	6"
	6-1/2"
	7"
	7-1/2"

DISCLAIMER:

This product is designed to decrease the probability that it may be utilized as an apparatus for ligature. It is not a replacement for professionals who are trained in the proper evaluation, management and supervision of persons at risk of suicide.

INSTALLATION:

Units are not intended for In-Wall Mounting Support Carriers. Refer to Installation Instruction Manual for complete details.

⚠ WARNING: Cancer and Reproductive Harm - www.P65Warnings.ca.gov

SELECTION SUMMARY & APPROVAL FOR MANUFACTURING

Model Number & Options _____ Quantity _____
 Company _____ Date _____
 Contact _____ Title _____
 Approval for Manufacturing/Signature _____

All dimensions are nominal and subject to manufacturer's change without notice. Whitehall assumes no responsibility for use of void or superseded data © Whitehall Manufacturing, Member of Morris Group International. Please visit www.whitehallmfg.com for most current specifications.